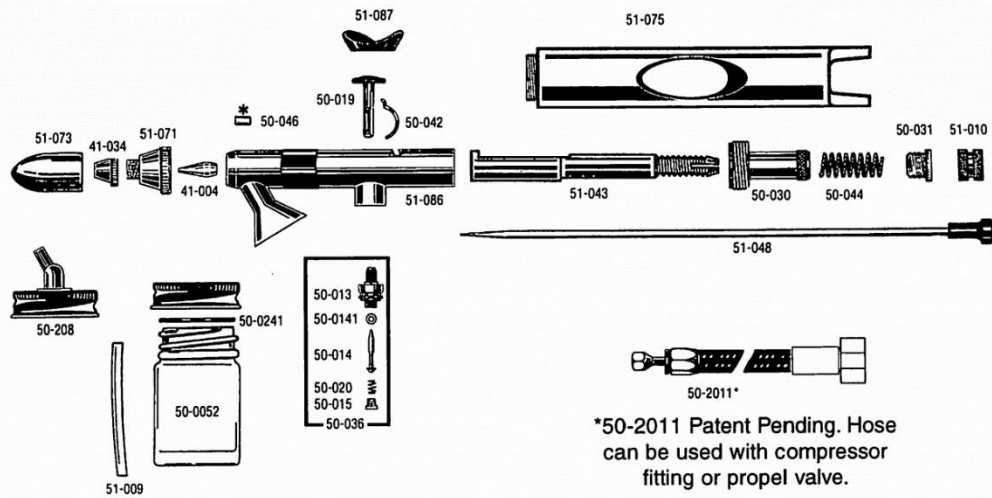


MODEL 360™ *Universal* AIR BRUSH


***50-2011 Patent Pending. Hose can be used with compressor fitting or propel valve.**

| PART NO. | DESCRIPTION | PART NO. | DESCRIPTION |
|-------------------------|---------------------------|-------------------------|--|
| 51-073 | Plastic Protective Cap | 50-0241 | Gasket for 3mm Jar (3pkt) |
| 41-034 | Standard Medium Regulator | 50-013 | Valve Casing |
| 51-071 | Air Head Cap | 50-0141 | O-Ring Washer |
| 41-004 | Medium Tip | 50-014 | Plunger and O-Ring |
| 50-046 | PTFE Needle Bearing | 50-020 | Plunger Spring |
| 50-019 | Trigger | 50-015 | Valve Screw |
| 51-087 | Soft Trigger Pad | 50-036 | Complete Assembled Valve |
| 50-042 | Back Lever | 51-048 | Standard Medium Needle |
| 51-086 | Airbrush Body | 50-2011 | Braided Hose 3/m10' with 1/4" Female Fitting |
| 51-043 | Needle Tube | | |
| 51-075 | Counter Balance Handle | | |
| 50-030 | Tube Shank | | |
| 50-044 | Needle Tube Spring | | |
| 50-031 | Needle Spring Screw | | |
| 51-010 | Needle Chuck | | |
| 50-208 | 'Fast Blast' Jar Adaptor | | |
| 51-009 | Siphon Tube | | |
| 50-0052 | 3/4oz Glass Jar w/cover | | |