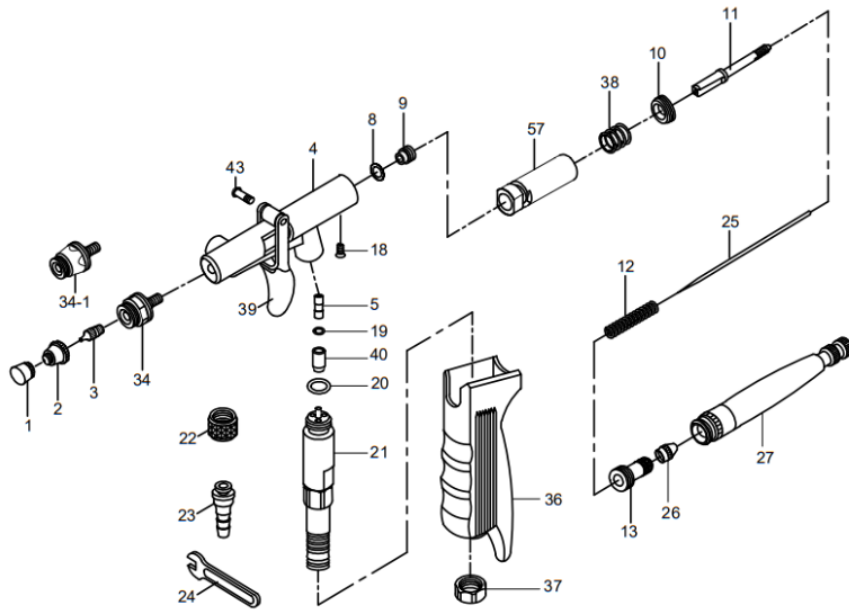
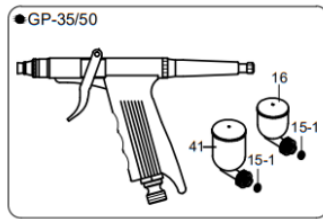


AIRBRUSH PARTS

● GP-Series (GP-35,GP-50)



1a	Needle Cap GP35	13	Spring case	26	Needle chucking nut
1b	Needle Cap GP50	15-1	O-ring for side cup (7cc/15cc)	27	Handle
2a	Nozzle Cap .35mm	16	7cc detachable side cup	34	Nozzle plate 0.5mm
2b	Nozzle Cap .5mm	18	Set screw	34-1	Nozzle plate 0.35mm
3a	Nozzle .35mm	19	Piston o-ring	36	Grip
3b	Nozzle .5mm	20	Air valve o-ring	37	Nut
4	Body	21	Air valve	38	Slider spring
5	Piston	22	Hose connector nut	39	Trigger
8	Piston O-ring for needle guide	23	Hose connector	40	Sleeve air valve
9	Needle guide	24a	Wrench	41	15cc detachable side cup
10	Lever screw	25a	Needle .35mm	43	Set screw
11	Needle chucking guide	25b	Needle .5mm	57	Slide cam
12	Spring				