

**HP.AR**

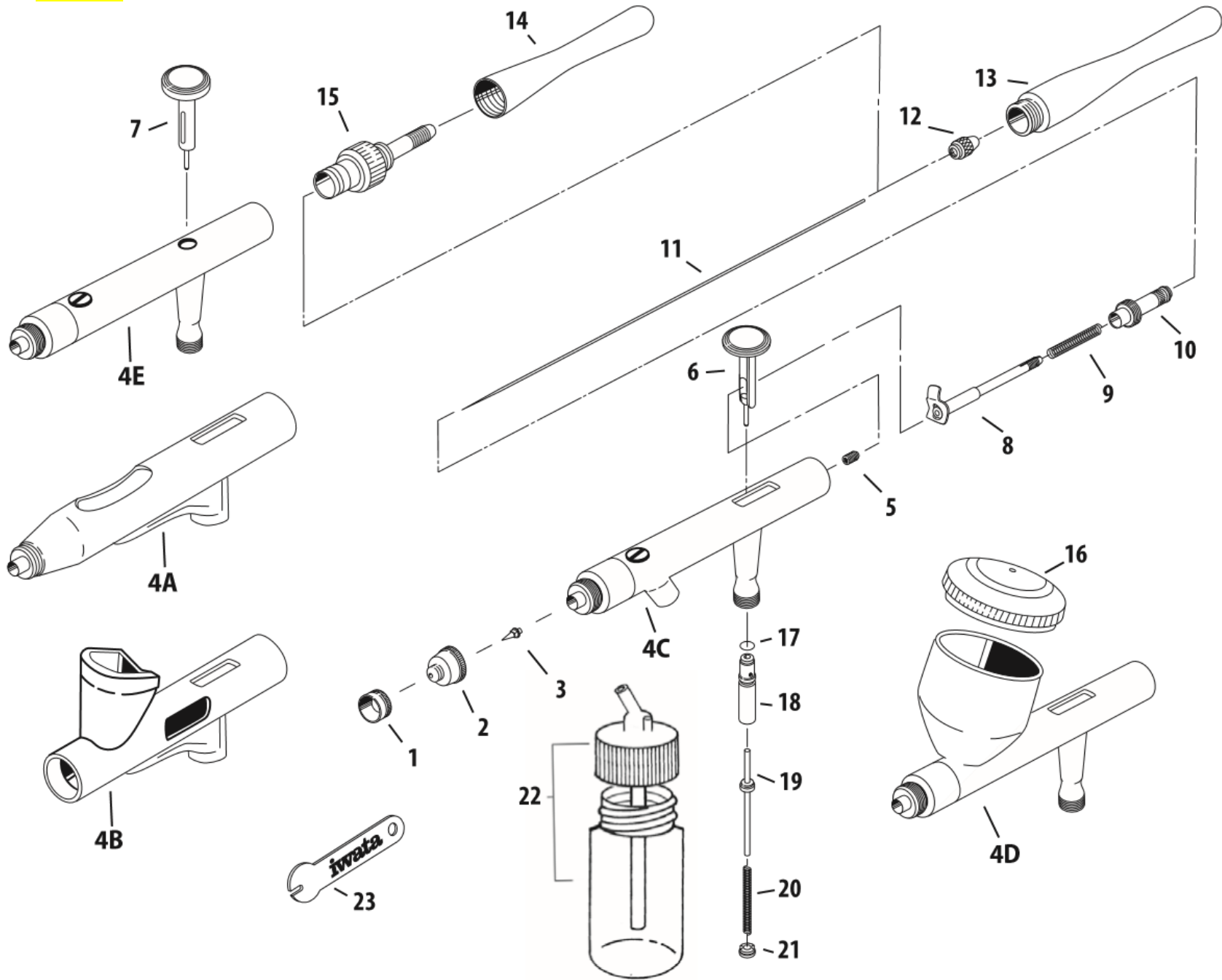
**HP.BCR**

**HP.BR**

**HP.CR**

**HP.CR3**

**HP.SAR**



| #  | ITEM DESCRIPTION                | ITEM #                      | HP-AR | HP-BR | HP-BCR | HP-CR | HP-CR3 | HP-SAR |
|----|---------------------------------|-----------------------------|-------|-------|--------|-------|--------|--------|
| 1  | Needle Cap                      | R3<br><a href="#">17012</a> | y     | y     | x      | x     | y      | x      |
|    |                                 | R5<br>17011                 | x     | x     | y      | y     | x      | y      |
| 2  | Nozzle Cap                      | R3<br><a href="#">17022</a> | y     | y     | x      | x     | y      | x      |
|    |                                 | R5<br>17021                 | x     | x     | y      | y     | x      | y      |
| 3  | Nozzle                          | R3<br><a href="#">17042</a> | y     | y     | x      | x     | y      | x      |
|    |                                 | R5<br>17041                 | x     | x     | y      | y     | x      | y      |
| 4A | HP-AR Body*                     | -                           | y     | x     | x      | x     | x      | x      |
| 4B | HP-BR Body*                     | -                           | x     | y     | x      | x     | x      | x      |
| 4C | HP-BCR Body*                    | -                           | x     | x     | y      | x     | x      | x      |
| 4D | HP-CR / HP-CR3 Body*            | -                           | x     | x     | x      | y     | y      | x      |
| 4E | HP-SAR Body*                    | -                           | x     | x     | x      | x     | x      | y      |
| 5  | Needle Packing Screw Set (PTFE) | R3<br><a href="#">11257</a> | y     | y     | x      | x     | y      | x      |
|    |                                 | R5<br>17251                 | x     | x     | y      | y     | x      | y      |
| 6  | Main Lever                      | <a href="#">16121</a>       | y     | y     | y      | y     | y      | x      |

| #  | ITEM DESCRIPTION      | ITEM #                      | HP-AR | HP-BR | HP-BCR | HP-CR | HP-CR3 | HP-SAR |
|----|-----------------------|-----------------------------|-------|-------|--------|-------|--------|--------|
| 9  | Needle Spring         | <a href="#">11351</a>       | y     | y     | y      | y     | y      | x      |
| 10 | Spring Guide          | <a href="#">17701</a>       | y     | y     | y      | y     | y      | x      |
| 11 | Needle                | R5<br>17171                 | x     | x     | y      | y     | x      | y      |
|    |                       | R3<br><a href="#">10751</a> | y     | y     | x      | x     | y      | x      |
| 12 | Needle Chucking Nut   | <a href="#">11202</a>       | y     | y     | y      | y     | y      | y      |
| 13 | Ergonomic Handle      | 17191                       | y     | y     | y      | y     | y      | x      |
|    | Preset Handle         | 11552                       | OPT   | OPT   | OPT    | OPT   | OPT    | x      |
|    | Preset Cutaway Handle | 11556                       | OPT   | OPT   | OPT    | OPT   | OPT    | x      |
| 14 | Ergonomic Handle      | 17192                       | x     | x     | x      | x     | x      | y      |
| 15 | Fluid Adjustment Knob | 17221                       | x     | x     | x      | x     | x      | y      |
| 16 | Lid                   | 17181                       | x     | x     | x      | y     | y      | x      |
| 17 | Air Valve O-ring      | <a href="#">15801</a>       | y     | y     | y      | y     | y      | y      |
| 18 | Valve Guide Body      | <a href="#">16081</a>       | y     | y     | y      | y     | y      | y      |
| 19 | Air Valve             | <a href="#">16091</a>       | y     | y     | y      | y     | y      | y      |
| 20 | Air Valve Spring      | 10351                       | y     | y     | y      | y     | y      | y      |
| 21 | Air Valve Guide Screw | 17111                       | y     | y     | y      | y     | y      | y      |

|   |                                   |                       |   |   |   |   |   |   |
|---|-----------------------------------|-----------------------|---|---|---|---|---|---|
| 7 | Main Lever                        | I6122                 | x | x | x | x | x | y |
| 8 | Needle Chucking Guide w/Aux Lever | <a href="#">I1157</a> | y | y | x | x | x | x |
|   |                                   | I1151                 | - | - | y | y | y | x |

|  |                     |                       |   |   |   |   |   |   |
|--|---------------------|-----------------------|---|---|---|---|---|---|
| 22   | Bottle 1 oz / 30 ml | A4701                 | x | x | y | x | x | y |
| 23   | Spanner             | <a href="#">N1651</a> | y | y | y | y | y | y |
| <p>y = yes    x = no    OPT = Optional</p> |                     |                       |   |   |   |   |   |   |