

HP.AR

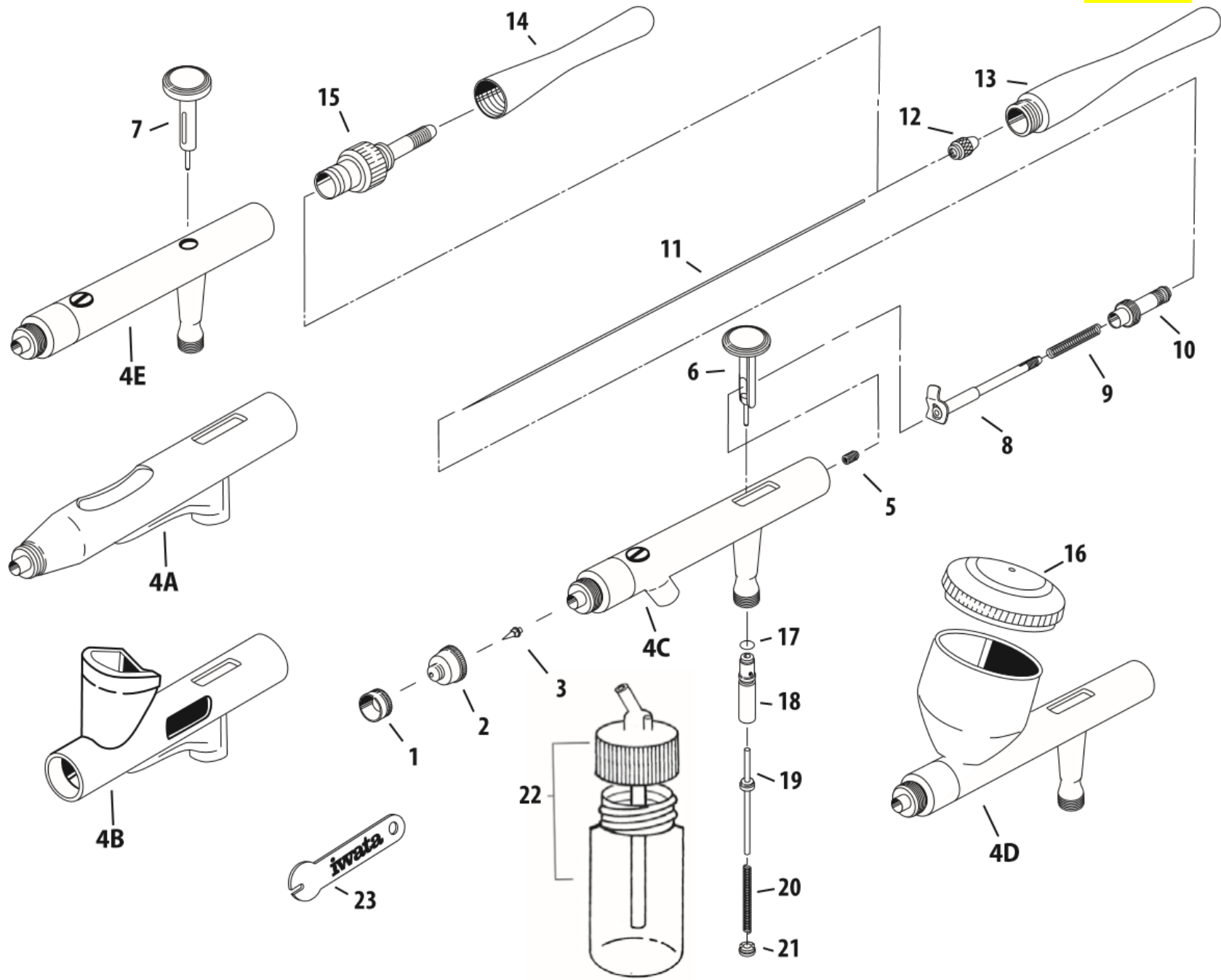
HP.BCR

HP.BR

HP.CR

HP.CR3

HP.SAR



| #  | ITEM DESCRIPTION                  | ITEM #                | HP-AR                 | HP-BR | HP-BCR | HP-CR | HP-CR3 | HP-SAR |   |
|----|-----------------------------------|-----------------------|-----------------------|-------|--------|-------|--------|--------|---|
| 1  | Needle Cap                        | R3                    | I7012                 | y     | y      | x     | x      | y      | x |
|    |                                   | R5                    | I7011                 | x     | x      | y     | y      | x      | y |
| 2  | Nozzle Cap                        | R3                    | I7022                 | y     | y      | x     | x      | y      | x |
|    |                                   | R5                    | <a href="#">I7021</a> | x     | x      | y     | y      | x      | y |
| 3  | Nozzle                            | R3                    | I7042                 | y     | y      | x     | x      | y      | x |
|    |                                   | R5                    | <a href="#">I7041</a> | x     | x      | y     | y      | x      | y |
| 4A | HP-AR Body*                       | -                     | y                     | x     | x      | x     | x      | x      |   |
| 4B | HP-BR Body*                       | -                     | x                     | y     | x      | x     | x      | x      |   |
| 4C | HP-BCR Body*                      | -                     | x                     | x     | y      | x     | x      | x      |   |
| 4D | HP-CR / HP-CR3 Body*              | -                     | x                     | x     | x      | y     | y      | x      |   |
| 4E | HP-SAR Body*                      | -                     | x                     | x     | x      | x     | x      | y      |   |
| 5  | Needle Packing Screw Set (PTFE)   | R3                    | I1257                 | y     | y      | x     | x      | y      | x |
|    |                                   | R5                    | <a href="#">I7251</a> | x     | x      | y     | y      | x      | y |
| 6  | Main Lever                        | I6121                 | y                     | y     | y      | y     | y      | x      |   |
| 7  | Main Lever                        | <a href="#">I6122</a> | x                     | x     | x      | x     | x      | y      |   |
| 8  | Needle Chucking Guide w/Aux Lever | I1157                 | y                     | y     | x      | x     | x      | x      |   |
|    |                                   | I1151                 | -                     | -     | y      | y     | y      | x      |   |

| #  | ITEM DESCRIPTION      | ITEM #                | HP-AR                 | HP-BR | HP-BCR | HP-CR | HP-CR3 | HP-SAR |   |
|----|-----------------------|-----------------------|-----------------------|-------|--------|-------|--------|--------|---|
| 9  | Needle Spring         | I1351                 | y                     | y     | y      | y     | y      | x      |   |
| 10 | Spring Guide          | I7701                 | y                     | y     | y      | y     | y      | x      |   |
| 11 | Needle                | R5                    | <a href="#">I7171</a> | x     | x      | y     | y      | x      | y |
|    |                       | R3                    | I7173                 | y     | y      | x     | x      | y      | x |
| 12 | Needle Chucking Nut   | <a href="#">I1201</a> | y                     | y     | y      | y     | y      | y      |   |
| 13 | Ergonomic Handle      | I7191                 | y                     | y     | y      | y     | y      | x      |   |
|    | Preset Handle         | I1552                 | OPT                   | OPT   | OPT    | OPT   | OPT    | x      |   |
|    | Preset Cutaway Handle | I1556                 | OPT                   | OPT   | OPT    | OPT   | OPT    | x      |   |
| 14 | Ergonomic Handle      | <a href="#">I7192</a> | x                     | x     | x      | x     | x      | y      |   |
| 15 | Fluid Adjustment Knob | <a href="#">I7221</a> | x                     | x     | x      | x     | x      | y      |   |
| 16 | Lid                   | I7181                 | x                     | x     | x      | y     | y      | x      |   |
| 17 | Air Valve O-ring      | <a href="#">I5801</a> | y                     | y     | y      | y     | y      | y      |   |
| 18 | Valve Guide Body      | <a href="#">I6081</a> | y                     | y     | y      | y     | y      | y      |   |
| 19 | Air Valve             | <a href="#">I6091</a> | y                     | y     | y      | y     | y      | y      |   |
| 20 | Air Valve Spring      | I0351                 | y                     | y     | y      | y     | y      | y      |   |
| 21 | Air Valve Guide Screw | I7111                 | y                     | y     | y      | y     | y      | y      |   |
| 22 | Bottle 1 oz / 30 ml   | <a href="#">A4701</a> | x                     | x     | y      | x     | x      | y      |   |
| 23 | Spanner               | I7651                 | y                     | y     | y      | y     | y      | y      |   |

**y = yes    x = no    OPT = Optional**