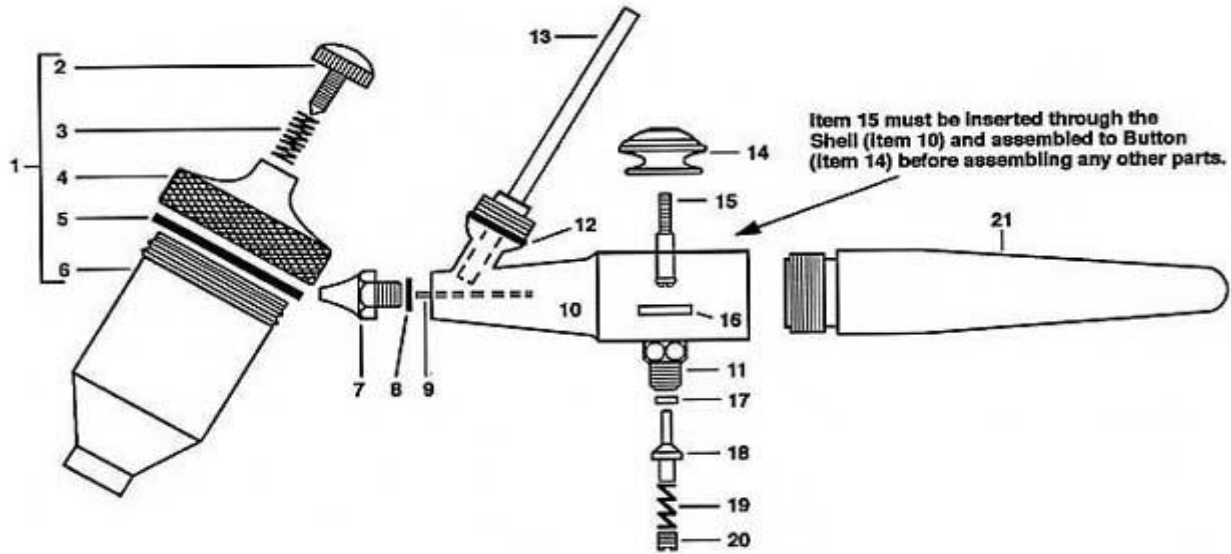


Paasche Air Eraser Kit

MODEL: PAAECK



	PART NO.	DESCRIPTION		Accessories
1	AE-22	Cup Assembly	V-62	Wrench
2	AE-24	Control Screw	A-34	Hanger
3	H-134	Spring		
4	AE-23	Cover		Air Eraser Abrasive Compounds
5	AE-31	Gasket	AEX	<i>Fast Cutting Abrasive (Aluminum Oxide)</i>
6	AE-38	Cup	AEX-6	6 oz. (170g) (240 Grit) Fast Cutting
7	AEC-34	Tip	AEX-5-240	5 lbs. (2.3kg) (240 Grit) Fast Cutting
8	AE-43	'O' Ring	AEX-5-400	5 lbs. (2.3kg) (400 Grit) Fast Cutting
9	AE-32A	Jet		
10	AE-30C	Shell W/Valve Casing		
11	AE-35	Valve Casing		
12	AE-6	'O' Ring		
13	AE-20	Powder Tube Assembly		
14	H-155	Button		
15	AE-40	Piston (new Style)		
16	AE-39	Seal		
17	A-52	Valve Washer		
18	H-21A	Valve Plunger		
19	A-22	Valve Spring		
20	A-23A	Air Valve Nut		
21	H-143	Handle		