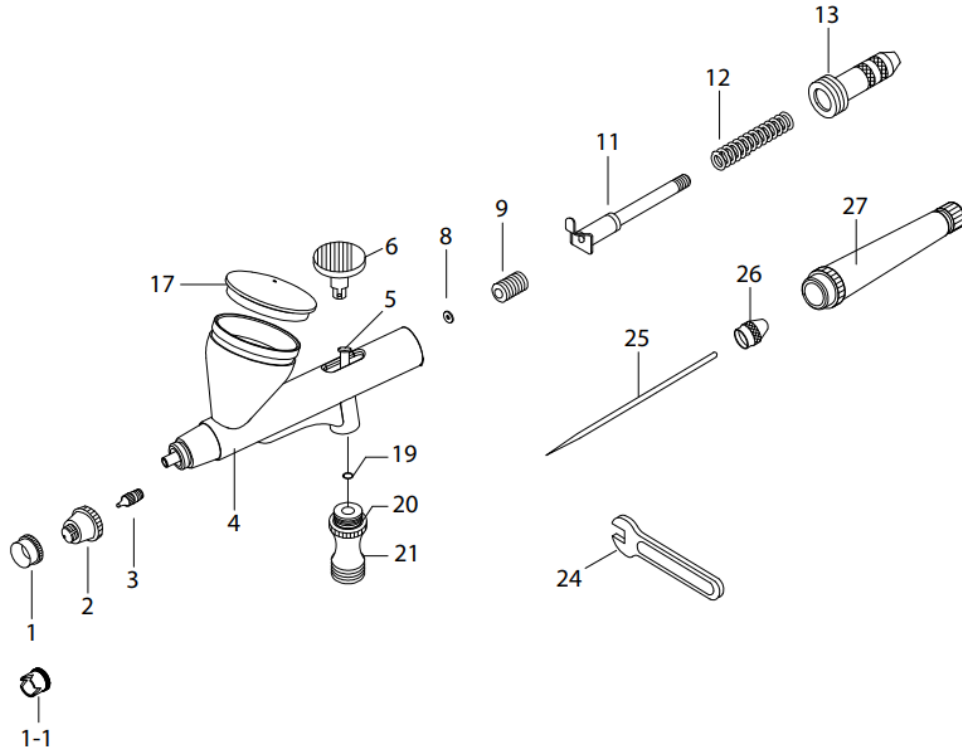


# AIRBRUSH PARTS

MAX-3 - 0.3mm nozzle size  
 MAX-4 - 0.4mm nozzle size



Index	Description	SKU
1	Needle Cap	<a href="#">PART1</a>
1-1	Extra Crown-Shape Needle Cap (for MAX-4)	-
2	Nozzle Cap 0.3mm (for MAX-3)	<a href="#">SP.0046</a>
2	Nozzle Cap 0.4mm (for MAX-4)	-
3	Nozzle 0.3mm (for MAX-3)	<a href="#">SP.0064</a>
3	Nozzle 0.4mm (for MAX-4)	-
4	Body	PART4
5	Piston	<a href="#">PART5</a>

Index	Description	SKU
6	Push Button	<a href="#">PART06</a>
8	O-ring for needle guide	<a href="#">PART8-.3mm</a>
9	Needle Guide Screw	<a href="#">PART09</a>
11	Needle Chucking Guide	<a href="#">PART11</a>
12	Needle Spring	<a href="#">PART12</a>
13	Spring Case	PART13
17	Cup Cover	-
19	Piston O-ring	<a href="#">PART19</a>

Index	Description	SKU
20	Air Valve O-ring	PART20
21	Air Valve	<a href="#">PART21</a>
24	Wrench	<a href="#">PART24</a>
25	Needle 0.3mm (for MAX-3)	<a href="#">SP.0399</a>
25	Needle 0.4mm (for MAX-4)	-
26	Needle Chucking Nut	<a href="#">PART26</a>
27	Handle	PART27