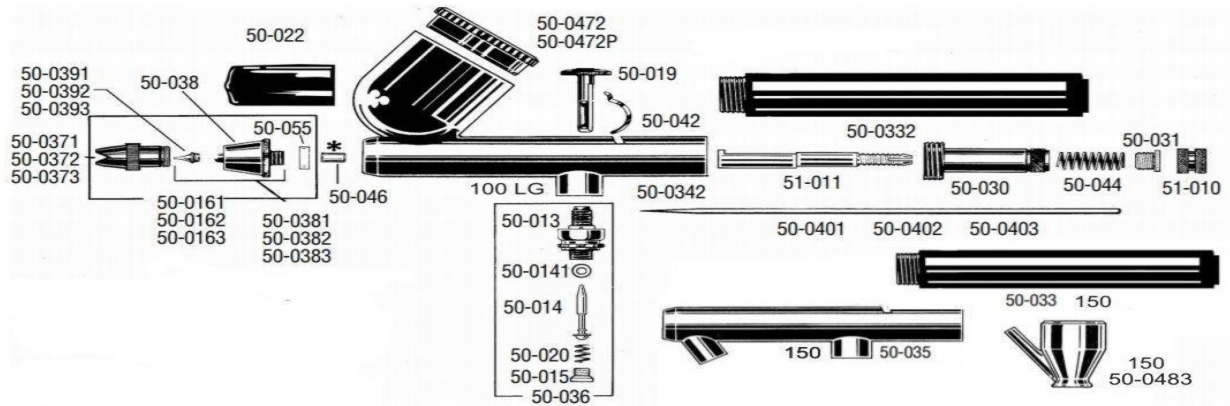


MODEL: 100 Series


PART NO.	DESCRIPTION	PART NO.	DESCRIPTION
50-013	Valve Casing	50-038	Head
50-014	Plunger & O Ring	50-0381	Fine Head & Tip
50-0141	O Ring	50-0382	Medium Head & Tip
50-015	Valve Screw	50-0383	Large Head & Tip
50-0161	Fine Head Assembly Complete	50-0391	Fine Tip
50-0162	Medium Head Assembly Complete	50-0392	Medium Tip
50-0163	Large Head Assembly Complete	50-0393	Large Tip
50-0164	Fine Conversion Complete	50-0401	Fine Needle (1 Ring)
50-0165	Medium Conversion Complete	50-0402	Medium Needle (2 Rings)
50-0166	Large Conversion Complete	50-0403	Large Needle (3 Rings)
50-019	Trigger	50-042	Back Lever
50-020	Plunger Spring	50-044	Needle Tube Spring
50-022	Protective Cap	50-046	PTFE Needle Bearing
50-030	Tube Shank	50-0472	100LG Colour Cup (Metal)
50-031	Spring Screw	50-0472P	100LG Colour Cup (Plastic)
50-0332	Counter Balance Handle (Brass)	50-0483	1/4oz Colour Cup
50-0340	Shell for 100GB with needle bearing	50-055	PTFE Head washer
50-0341	Shell for 100G with needle bearing	51-010	Needle Chuck
50-0342	Shell for 100LG with needle bearing	51-011	Needle Tube Spring
50-0343	Shell for 100SG with needle bearing	50-2010	6FT Braded Hose
50-0344	Shell for 100GC with needle bearing	50-2011	10FT Braded Hose

	50-036	Valve Assembly Complete		50-0052	3/4oz Jar with Adaptor
	50-0371	Fine Spray Regulator		50-053	2oz Jar with Adaptor
	50-0372	Medium Spray Regulator			
	50-0373	Large Spray Regulator			