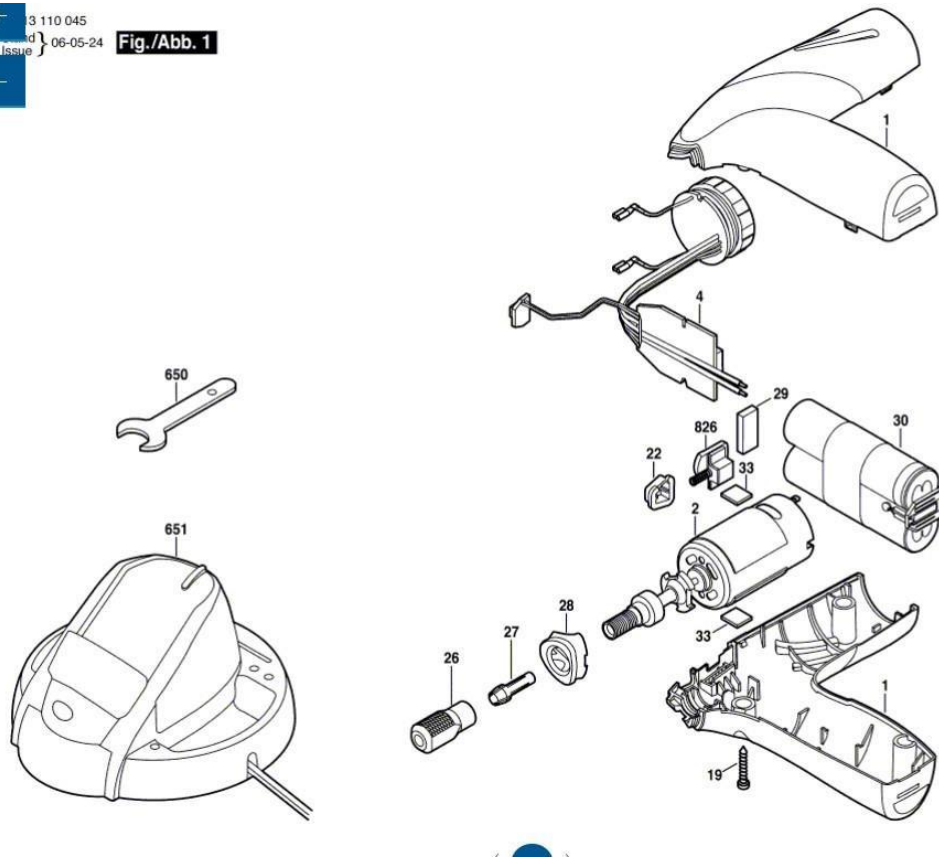


DREMEL®

MODEL: 1100

3 110 045
Issue 06-05-24 **Fig./Abb. 1**



Änderungen vorbehalten
Modifications reserved
Modificaciones reservadas
Salvo modificaciones

| ITEM NO. | PART NO. | DESCRIPTION | ITEM NO. | PART NO. | DESCRIPTION |
|----------|--|------------------|----------|--|---------------|
| 1 | 2610930051 | Housing Assembly | | 2610930071 Deleted By Dremel | |
| | | | 29 | | Pad |
| 2 | 2610930054 Deleted By Dremel | Motor | 30 | 2610041675 Deleted by Dremel | Battery Set |
| 4 | 2610930057 Deleted By Dremel | Speed Governor | 33 | 2610935154 Deleted By Dremel | Pad |
| 19 | 2610914480 | Screw | 650 | 2610930692 | Chuck Wrench |
| 22 | 2610930365 Deleted By Dremel | Cap | 651 | 2610937396 Deleted By Dremel | Charger |
| 26 | 2610014582 | Nut | 826 | 2610930066 | Locking Piece |

| | | | | | |
|----|-----------------------------------|---------------------|--|--|--|
| 27 | 2615110480 | Contour Sleeve 1/8" | | | |
| 28 | 610930070 Deleted By Dremel | Cap | | | |