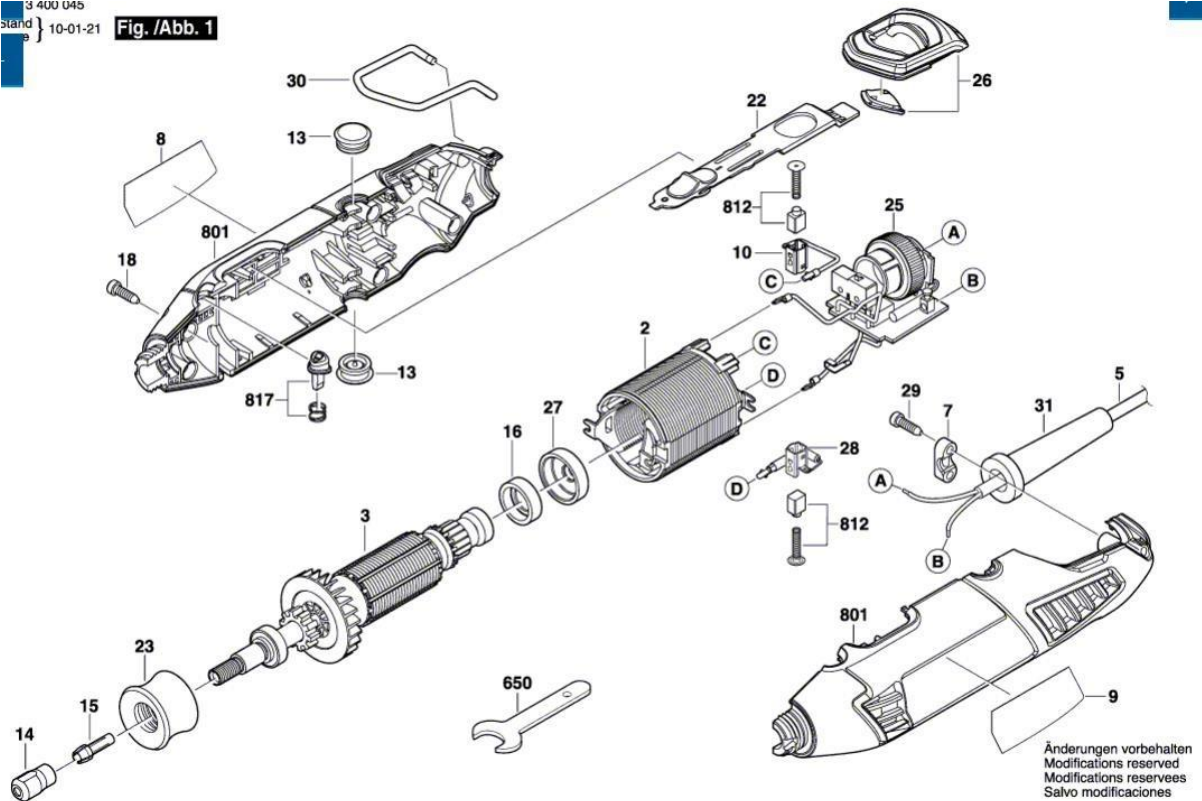


3 400 U45
stand } 10-01-21 **Fig. /Abb. 1**



Änderungen vorbehalten
Modifications reserved
Modificaciones reservadas
Salvo modificaciones

ITEM NO.	PART NO.	DESCRIPTION	ITEM NO.	PART NO.	DESCRIPTION
2	2610004556	Field	23	2610003424	Cover (Standard)
3	2610004557	Armature	23	EZ 495	Cover (EZ495, Additional)
5	2610999103	Power Cord	25	2610003445	Electronic Speed Switch
7	2615650007	Cable Clip	26	2610006642	Housing
8	2610011966	Name Plate	27	2610006643	Bearing Sleeve
9	2610003448 Special Order Only	Label	28	2610009854	Brush Holder
10	2610003434	Brush Holder	29	2610315386	Screw ST3, 9X19
13	2610007979	Brush Cover	30	2610003433	Suspension Loop
14	2610014582	Nut	31	2615302548	Grommet
15	480	Contour Sleeve 1/8"	650	2610930692	Chuck Wrench
16	2615302505	Damping Rubber	801	2610005381	Housing Assembly
18	2615294035	Cross Recessed Head Screw	812	2610005646	Brush-Spring Set
22	Deleted By Dremel	Guide Lever	817	2610004610	Shaft Lock / Armature Lock