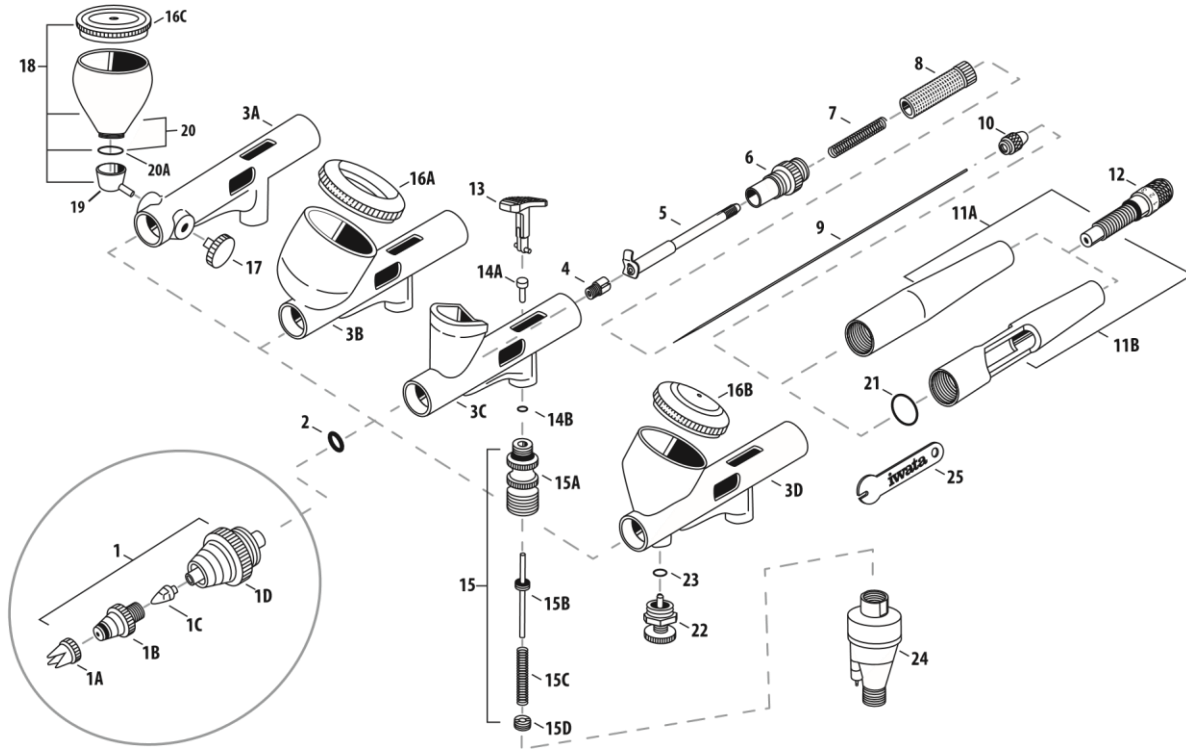


Iwata Custom Micron Takumi CM.SBT



IWATA CUSTOM MICRON AIRBRUSH SERIES (VERSION 2) REPLACEMENT PARTS

#	ITEM DESCRIPTION	ITEM #	TAKUMI	#	ITEM DESCRIPTION	ITEM #	TAKUMI
1	C1 Head System	I5351	y	13	Main Lever	I5454	y
	C2	I5352	x	14A	Valve Piston	I5001	y
1A	Head Needle Crown Cap	I5351D	y	14B	Valve Piston Packing	I5801	y
1B	C1 Head Nozzle Cap	I5351C	y	15	Air Valve Set	I5101	y
	C2	I5352C	x	15A	Air Valve Body	NA	y
1C	C1 Head Nozzle	I5351B	y	15B	Air Valve	NA	y
	C2	I5352B	x	15C	Air Valve Spring	NA	y

1D	Head Nozzle Base	I5351A	y			15D	Air Valve Guide	NA		y		
2	Head Packing	I5802	y			16A	Cup Lid 0.24 oz / 7 ml	I5301		x		
3A	Takumi Body*	NA	y			16B	Cup Lid 0.24 oz / (Gravity) 7 ml	I6181		x		
3B	CM-C Body*	NA	x			16C	Cup Lid 0.24 oz / (Siphon Cut) 7 ml	I6187		y		
3C	CM-B Body*	NA	x			17	Blanking Cover	I0452		y		
3D	CM-C Plus Body*	NA	x			18	Cup 0.24 oz / Assembly 7 ml	I0710		y		
4	Needle Packing Screw (PTFE)	I5902	y			19	Cup Adapter (Side-Gravity)	I0700		y		
5	Needle Chucking Guide	I1157	y			20	Cup (Gravity) 0.24 oz / 7 ml	N0702		y		
6	Spring Guide	I5903	y			20A	Cup (Gravity) 0.24 oz / O-ring 7 ml	N0712		y		
7	Needle Spring	I5701	y			21	Handle O-Ring	I6051		y		
8	Needle Spring Adjuster	I5751	y			22	MAC Valve Set	I1901		x		
9	C1 C1 Head Needle C2 C2	I5404	x			23	MAC Valve Packing	I1902		x		
		I5406	y			24	Pistol-Grip Filter	FA450		y		
		I5402	x			25	Spanner	N1651		y		
		I5403	x									
10	Needle Chucking Nut	I5601	y				QuickFit Quick Disconnect Airbrush Adaptor	I1604		OPT		
11A	Handle (Preset)	I5854	y				Airbrush Adapter for Paasche Air Hose	J001		OPT		
11B	Handle (Preset/Single Cut)	I5855	y				Airbrush Adapter for T&C/Badger Air Hoses	J002		OPT		
12	Handle Crown Cap Dock (Preset)	I5861	y									

y = yes x = no OPT = optional