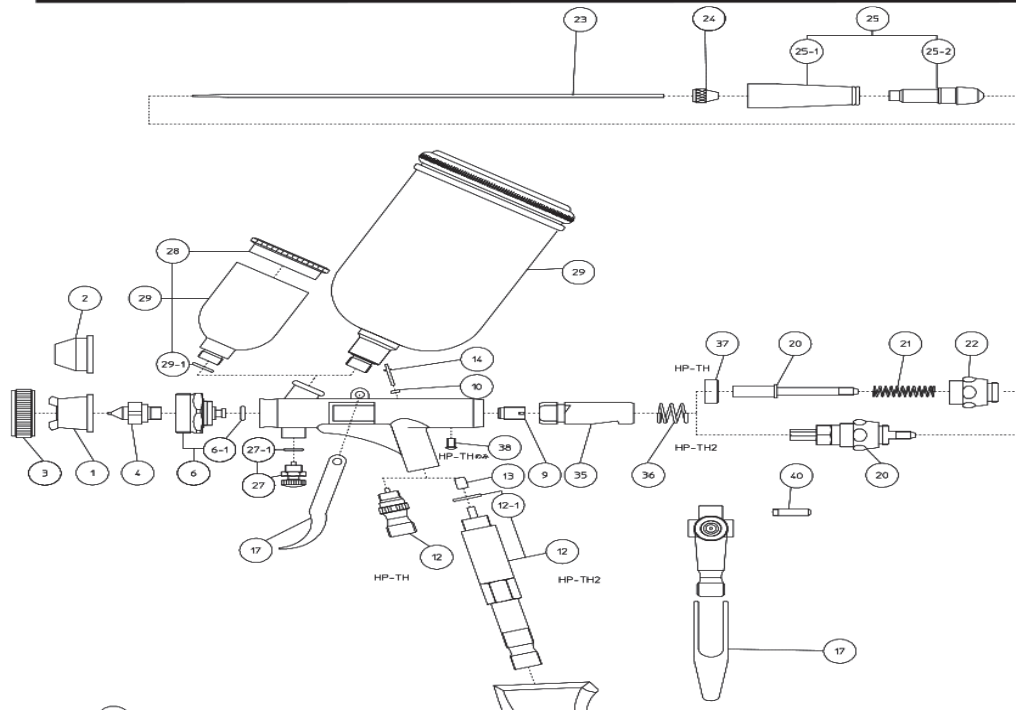


■ PARTS LIST



NO.	PART NUMBER	DESCRIPTION	NO.	PART NUMBER	DESCRIPTION
1	I1109	Air Cap (Fan Pattern)	17	1202	Needle Chucking Nut
2	I1108	Air Cap (Round Pattern)	18	I1559	Handle (Pre-Set Assembly)
3	I1110	Air Cap Cover	19	I1901	Micro Air Control (Mac) Valve Set
4	I0812	Nozzle	19-1	I1902	O-Ring (2pcs)
5	I0822	Head	20	I0708	Cup (Gravity) 1/2oz
6	I0831	Head O-Ring	20-1	I7182	Cup Lid (Gravity) 1/2oz
7	I1258	Needle Packing Screw	21	HPA-CB4M	Cup (Gravity) W/Lid 5oz
8	I1259	Piston O-Ring	22	I1507	Cup O-Ring
9	I7123	Air Valve Set	23	I1653	Spanner
9-1	I6051	Joint O-Ring	24	I7301	Slide Cam
10	I2735	Joint Sleeve	25	I7302	Slide Cam Spring
11	I7132	Valve Rod	28	I7142	Trigger Screw
12	I7141	Trigger	29	I2731	Grip Handle
13b	I7150	Needle Chucking Assembly	30	I3701	Grip Nut
16	I0758	Needle			