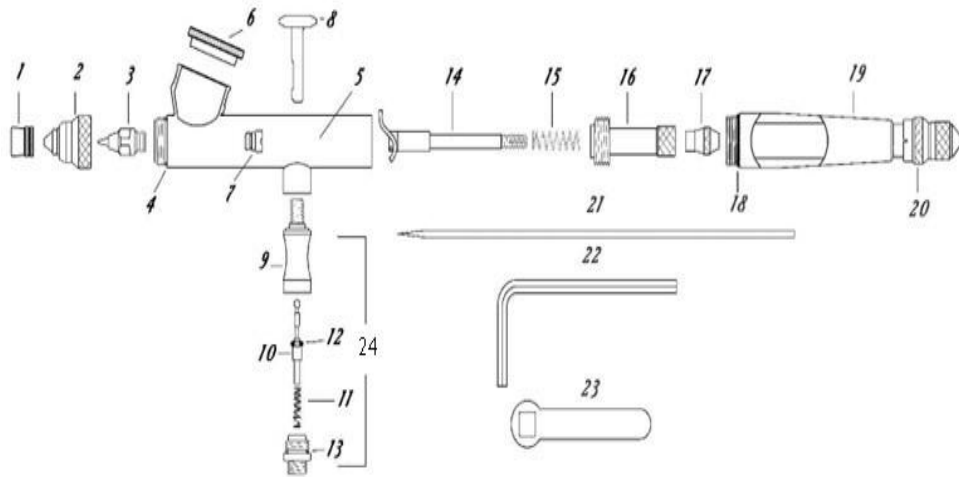


Paasche Raptor RG#1L



<u>NO. PART DESCRIPTION</u>	
1. XI-41	Needle Protection Cap
2. TA-1 .25mm	Aircap (.25mm)
3. TT-1,	Tip (.25mm)
4. MIL-12	"O" Ring
5. RG-30	Shell Assembly
6. RG-8	Cover
7. TAL-8	Packing Assembly PTFE
8. TAL-37	Trigger
9. TAL-14	Valve Casing
10. TAL-36	Plunger
11. A-22	Spring
12. TAL-26	"O" Ring
1. TAL-22	"O" Ring
2. TAL-18	Rocker Assembly
3. MIL-11	Needle Spring
4. TAL-17	Spring Housing
5. TAL-19	Needle Lock Nut
6. MIL-12	"O" Ring
7. RG-20	Handle
8. TAL-33	Needle Stop
9. TN-1	Needle (.25mm)
10. TAL-35	Allen Wrench
23. TAL-28	Wrench
24. TAL-32	Air Valve Assembly