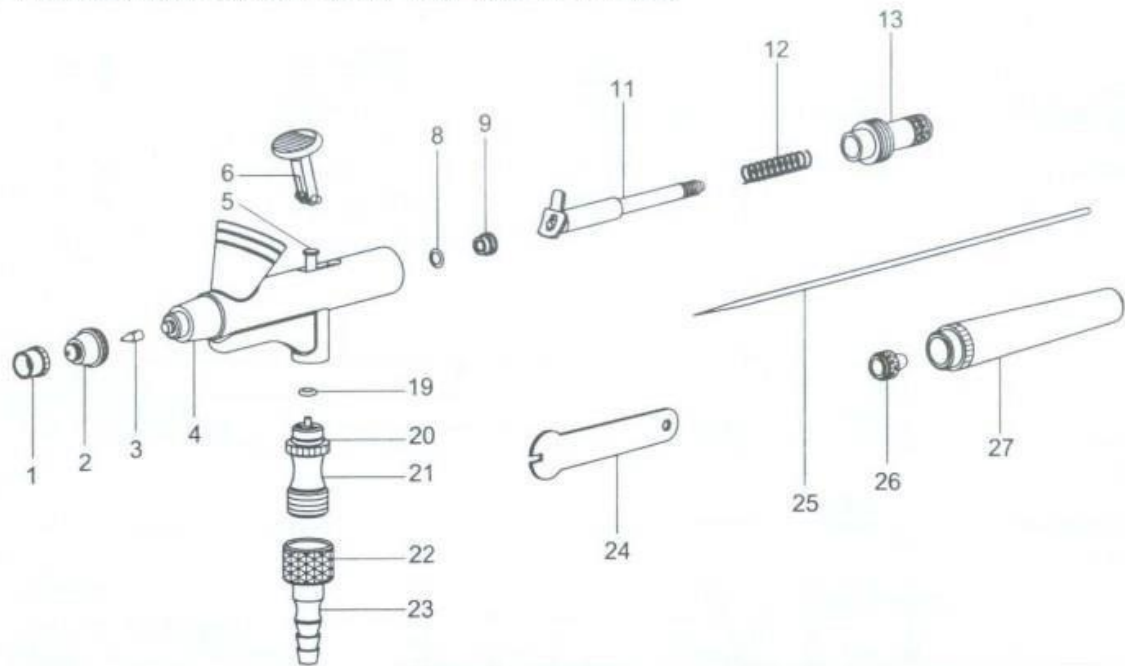


AIRBRUSH PARTS

• DH-1 / DH-2 / DH-3 / DH-101 / DH-102 / DH-103



| No: | Part # | Description |
|-----|---------------------------------|------------------------------|
| 1 | SP.0326 | Needle Cap |
| 2a | SP.0036 | .2mm Nozzle Cap |
| 2b | SP.0328 | .3mm Nozzle Cap |
| 2c | SP.0048 | .35mm Nozzle Cap |
| 2d | 2-.5mmNozzleCap | .5mm Nozzle Cap |
| 3a | SP.0065 | .2mm Nozzle |
| 3b | SP.0011 | .3mm Nozzle |
| 3c | SP.0013 | .35mm Nozzle |
| 3d | SP.0056 | .5mm Nozzle |
| 4 | PART4 | Body |
| 5 | SP.0367 | Piston |
| 6 | SP.0330 | Push Button Trigger |
| 8a | SP.0102 | .2mm O Ring for Needle Guide |

| No: | Part # | Description |
|-----|-------------------------|-----------------------|
| 9 | SP.0194 | Needle Guide Screw |
| 11 | SP.0269 | Needle Chucking Guide |
| 12 | SP.0298 | Needle Spring |
| 13 | PART13 | Spring Case |
| 19 | SP.0119 | Piston O Ring |
| 20 | PART20 | Air Valve O Ring |
| 21 | SP.0214 | Air Valve Set |
| 22 | PART22 | Hose Connector Nut |
| 24 | SP.0234 | Wrench |
| 25a | SP.0490 | .2mm Needle |

| | | |
|----|-------------------------|-------------------------------|
| 8b | SP.0101 | .3mm O Ring for Needle Guide |
| 8c | SP.0190 | .35mm O Ring for Needle Guide |
| 8d | SP.0101 | .5mm O Ring for Needle Guide |

| | | |
|-----|------------------------------|---------------------|
| 25b | SP.0391 | .3mm Needle |
| 25c | SP.0380 | .35mm Needle |
| 25d | 25.5mmNEEDLE | .5mm Needle |
| 26 | SP.0255 | Needle Chucking Nut |
| 27 | PART27 | Handle |
| | SP.0457 | Crown Cap |