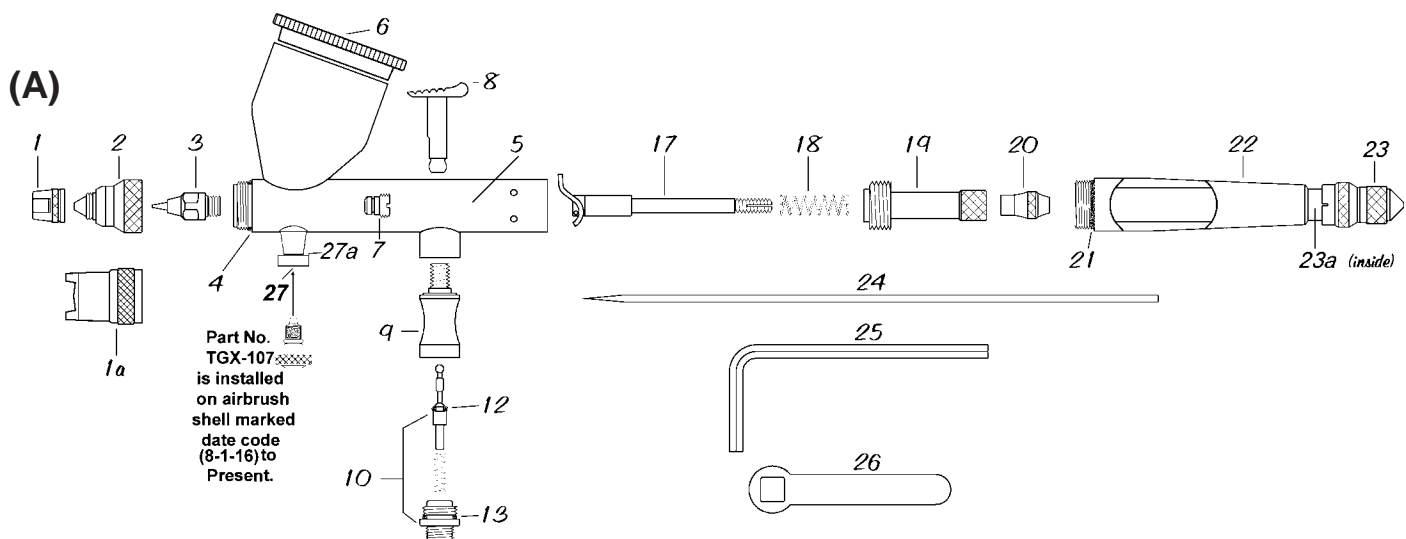


# Paasche® TGX Gravity Feed, Double Action Airbrush



NO:	PART:	DESCRIPTION:	NO:	PART:	DESCRIPTION:
1.	<a href="#">TAL-23</a>	Crown Cap	22.	TGX-105	Handle
1A.	<a href="#">TAF-3</a>	Fan Aircap for .66mm head Assembly (uses <a href="#">TT-3</a> and <a href="#">TN-3</a> )	23.	TAL-33	Handle Stop
2.	<a href="#">TA-1</a>	Aircap .25mm	24.	TN-0	.2mm Needle
3.	<a href="#">TT-0</a>	.2mm Tip	25.	<a href="#">TAL-35</a>	Allen Wrench
4.	<a href="#">MIL-12</a>	"O" Ring for TG-30 Shell	26.	<a href="#">TAL-28</a>	Wrench
5.	<a href="#">TG-30</a>	Shell Assembly			
6.	TGX-104	Cup Cover			
7.	<a href="#">TAL-8</a>	Packing Assembly PTFE			
8.	TGX-106	Trigger			
9.	<a href="#">TAL-14</a>	Valve Casing			
10.	<a href="#">TAL-32</a>	Air Valve Assembly			
11.	<a href="#">TAL-26</a>	"O" Ring			
12.	<a href="#">TAL-22</a>	"O" Ring			
13.	<a href="#">TAL-22</a>	"O" Ring			
17.	<a href="#">TAL-18</a>	Rocker Assembly			
18.	<a href="#">MIL-11</a>	Needle Spring			
19.	<a href="#">TAL-17</a>	Spring Housing			
20.	<a href="#">TAL-19</a>	Needle Lock Nut			
21.	<a href="#">MIL-12</a>	"O" Ring for TG-34 Handle			

