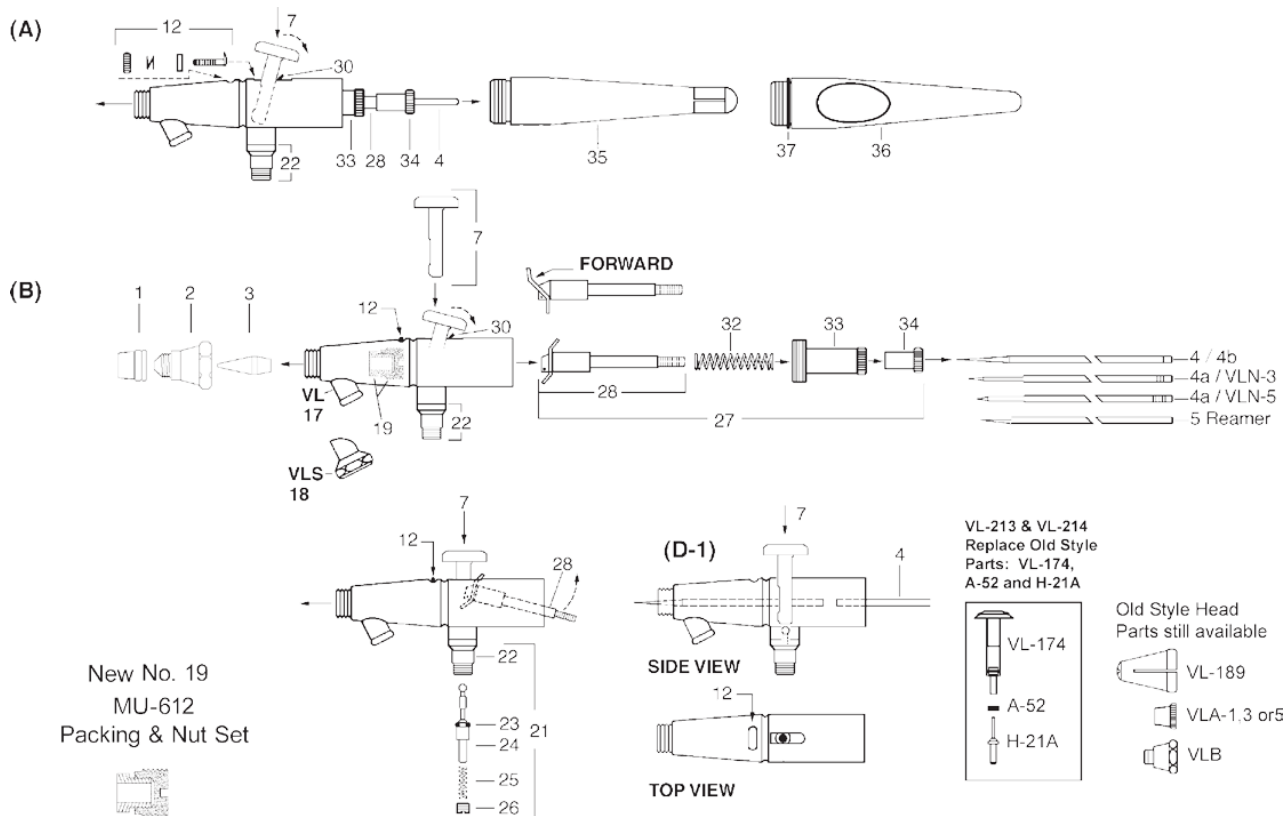


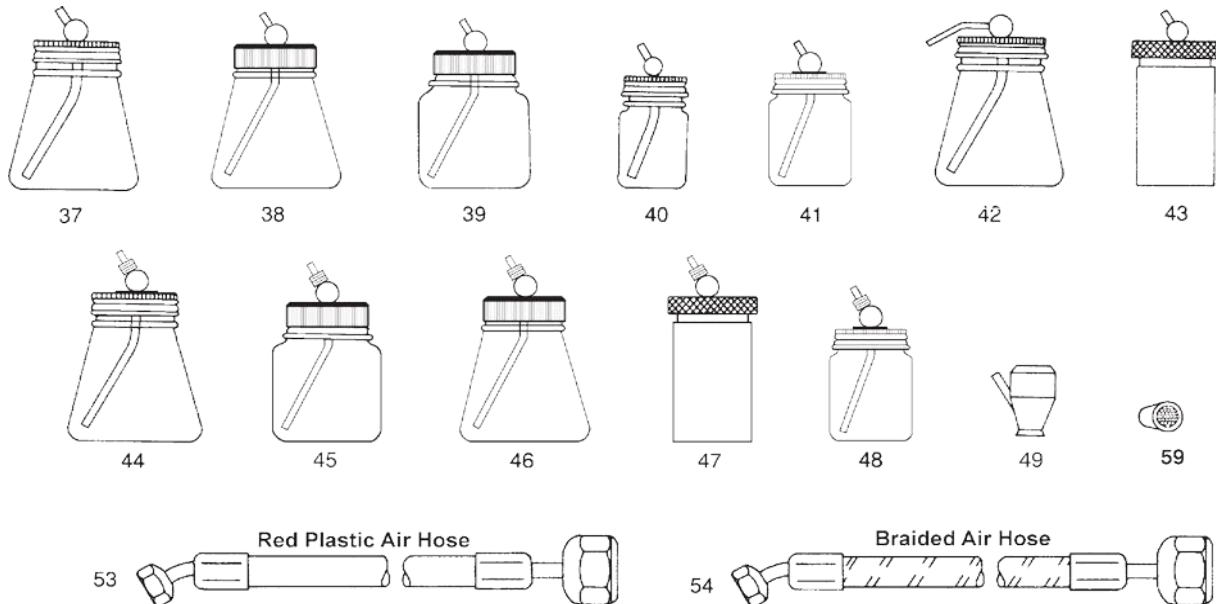
Paasche® VL & VLS Double Action Airbrushes



VL and VLS AIRBRUSH PARTS

NO. PART	DESCRIPTION	NO. PART	DESCRIPTION
1. XL-41	Needle Protecting Cap	27. VL-186	Needle Valve Assembly L/Needle
2. VLH-1, 3 or 5	Head (Specify Size)	28. VL-191A	Rocker Assembly
3. VLT-1, 3 or 5	Tip (Specify Size)	32. VL-140	Spring
4. VLN-1	Needle (Specify Size)	33. VL-136A	Needle Adjusting Sleeve
4a. VLN-3 , VLN-5	Needle (Specify Size)	34. VL-141	Locknut
7. VL-213	Trigger	35. VL-134N	Handle
12. VL-175	Line Adjustment Assembly	Optional Items:	
17. VL-163	Shell Assembly W/VL-20	4b. VLN-1POL	Polished Needle
18. VLS-163	Shell Assembly W/VL-20	5. VL-54	Reamer
19. MU-612	PTFE Packing & Packing (sold as set)	23. A-53	Valve 'O' Ring (pack of 6)
21. VL-215	Air Valve Assembly	36. HVL-202	Standard Length <u>Metal</u> Handle with Cut-Out and VL-224 'O' Ring
22. VL-20	Valve Casing	VL-227-1, 3 or 5	Multiplehead (Specify Size)
24. VL-214	Valve Plunger (with A-53)	VLH-1, 3 or 5	Head
25. A-22	Valve Spring	VLT-1, 3 or 5	Tip
26. A-23R	Air Valve Nut	VLN-1, 3 or 5	Needle

Paasche® VL & VLS Cups, Bottles and Accessories



VL and VLS BOTTLE ASSEMBLIES and CUP

* Cup or Bottle for VL Airbrush, ‡ Cup or Bottle for VLS Airbrush

NO. PART NO. DESCRIPTION

37.*	VL-3-OZ	3 oz. Glass Bottle Assembly (89cc)
	VL3	3 oz. Metal Cover & Tube Assembly
	H-108	3 oz. Glass Bottle (89cc)
38.*	PCVL-3-OZ	3 oz. Plastic Cover & Metal Tube Assem. (89cc)
	PCVL3	3 oz. Plastic Cover & Metal Tube Assembly
	H-108	3 oz. Glass Bottle (89cc)
39.*	VLP-3-OZ	3 oz. Plastic Cover, Tube & Bottle Assem. (89cc)
	VLP3	3 oz. Plastic Cover & Tube Assembly
	62-17P	3 oz. Plastic Bottle (89cc)
40.*	VL-1/2-OZ	1/2 oz. Glass Bottle Assembly (14.5cc)
	VL1/2	1/2 oz. Metal Cover Assembly W/Gasket
	H-164	1/2 oz. Glass Bottle (14.5cc)
41.*	VL-1-OZ	Color Bottle Assembly (29cc)
	VL1	1 oz. Cover Assembly
	H-99	1 oz. Glass Bottle (29cc)
42.*	VLD-3-OZ	3 oz. Decorator Bottle Assembly (89cc)
	H-108	3 oz. Glass Bottle (89cc)
43.*	VL-2-OZ	Aluminum Cup Assembly (60cc)
	VF-23	2 oz. Aluminum Cup (60cc) 44.‡
	VLS-3-OZ	3 oz. Bottle Assembly (89cc)
	VLS3	3 oz. Metal Cover Assembly
	H-108	3 oz. Glass Bottle (89cc)
45.‡	VLPS-3-OZ	3 oz. Plastic Bottle Assembly (89cc)
	VLPS3	3 oz. Plastic Cover & Tube Assembly
	62-17P	3 oz. Plastic Bottle (89cc)
46.‡	PCVLS-3-OZ	3 oz. Plastic Cover & Metal Tube Assem.(89cc)
	PCVLS3	3 oz. Plastic Cover & Metal Tube Assembly
	H-108	3 oz. Glass Bottle (89cc)
47.‡	VLS-2-OZ	Aluminum Cup Assembly (60cc)
	VF-23	2 oz. Aluminum Cup (60cc) 48.‡
	VLS-1-OZ	Color Bottle Assembly (29cc)
	VLS1	1 oz. Cover Assembly
	H-99	1 oz. Glass Bottle (29cc) 49.‡*
	VL-1/4-OZ	Metal Color Cup (7cc)

AIRHOSES W/FACTORY INSTALLED COUPLINGS

53.	HP-1/8	PVC-Red Plastic Airhose W/Couplings
54.	A-1/8	Braided Airhose W/Couplings
59.	VL-127	Strainer for PTFE White Color Tube Only

ACCESSORIES (not shown)

A-34	Hanger
V-62	Wrench

NOTE: [3-JG](#) Gasket for 3oz and 2oz bottles

[5-G](#) Gasket for 1 oz bottles